

Aquasonic®

UNDERWATER LOUDSPEAKERS

Diluvio™

The Diluvio™ Underwater Loudspeaker is the world's only full-frequency, full-fidelity underwater loudspeaker. Backyard pool enthusiasts, lap swimmers and competitive swimmers agree the Diluvio™ turns any pool experience into something truly spectacular. The Diluvio™ brings water to life, allowing music and sound to be heard through the body below the water's surface.

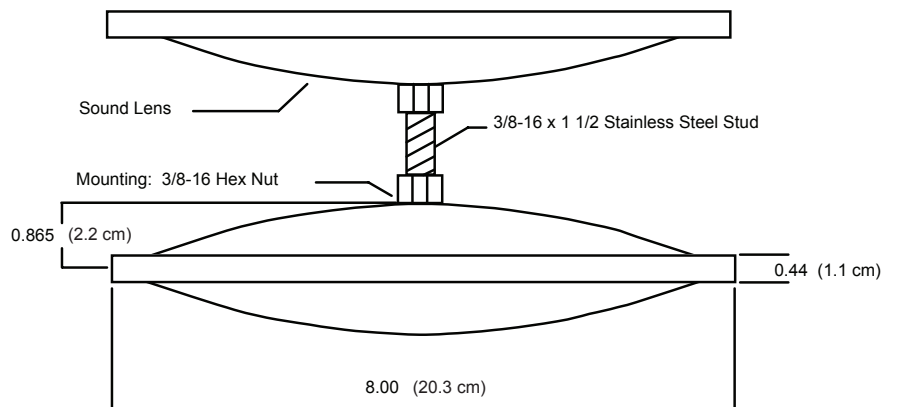
The Diluvio™ can be used in two different ways. For a permanent installation, the Diluvio™ can be mounted inside a large light niche with a face ring kit (sold separately). For users who require underwater sound in multiple locations, such as synchronized swim teams, a tether can be attached to the Diluvio™ so it can be used as a drop-in speaker.



The Diluvio™ Underwater Loudspeaker requires an amplifier for operation. Clark Synthesis recommends an amplifier stable at 4 ohms that can deliver 125-150 watts @ 4 ohms (per speaker).



**The Diluvio™ pictured in a third-party light niche and face ring kit. Niche and face ring kit sold separately.*



Specifications: • Continuous Power Handling: 135 watts • Impedance: 4 ohms • Overload Protection: Polyswitch • Frequency Response: 20Hz to 17kHz • Electrical Connection: 100ft. - Underwater, 16-2 Wire • Dimensions: 8" (20.3cm) Dia. x 4.5" (11.5cm) Deep • Recommended Amplification: 125 - 150 W at 4 Ohms



CLARKSYNTHESIS

Tel: 1-877-252-7544 Fax: 303-797-7501
www.clarksynthesis.com

CLARK SYNTHESIS IS THE
OFFICIAL SOUND SYSTEM SUPPLIER FOR
UNITED STATES SYNCHRONIZED SWIMMING

